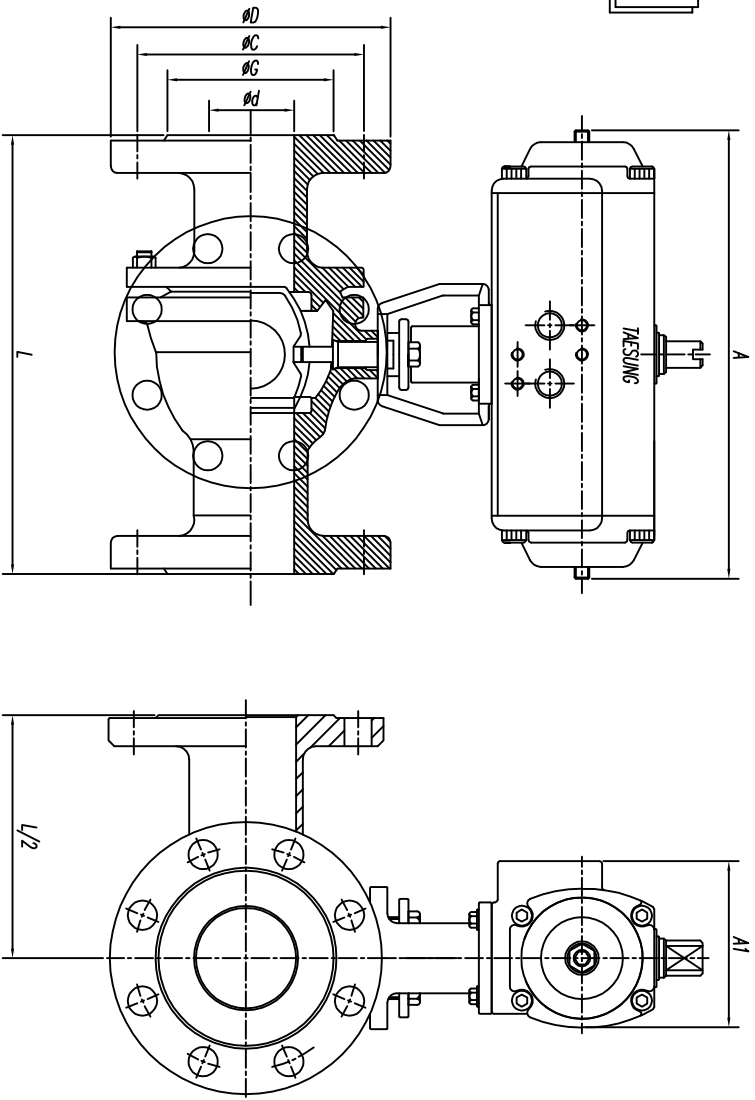
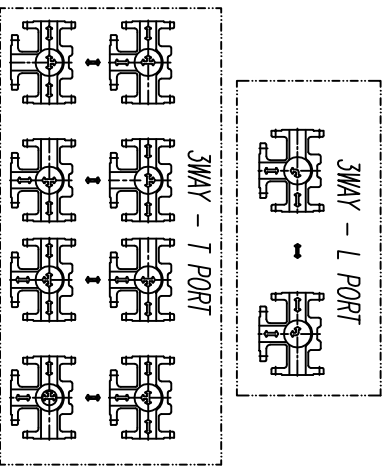


1-1

FOR APPROVAL



TITLE		
3-WAY FLANGED BALL VALVE		
NO	DESCRIPTION	MATERIAL
1	BODY	SCS13
2	BALL	SUS304
3	STEM	SUS304
4	SEAT	PTFE
5	GRAND PACKING	PTFE
6	BRACKET	SUS304
7	JOINT	S41C
8	ACTUATOR	TAESUNG



■ DIMENSION (mm)

MODEL	SIZE		A	A1	H	L	t	Ød	FLANGED			
	mm	Inch							ØRF	ØC	ØD	N-H
TD50-15F	15A	1/2"	178	69	166	180	12	15	52	70	95	4-Ø15
TD50-20F	20A	3/4"	178	69	172	190	14	20	58	75	100	4-Ø15
TD50-25F	25A	1"	178	69	180	200	14	25	70	90	125	4-Ø19
TD65-32F	32A	1-1/4"	232	82	208	240	16	32	80	100	135	4-Ø19
TD65-40F	40A	1-1/2"	232	82	223	240	16	40	85	105	140	4-Ø19
TD65-50F	50A	2"	232	82	235	260	16	50	100	120	155	4-Ø19
TD80-65F	65A	2-1/2"	260	98	285	320	18	65	120	140	175	4-Ø19
TD80-80F	80A	3"	260	98	304	360	18	80	130	150	185	8-Ø19

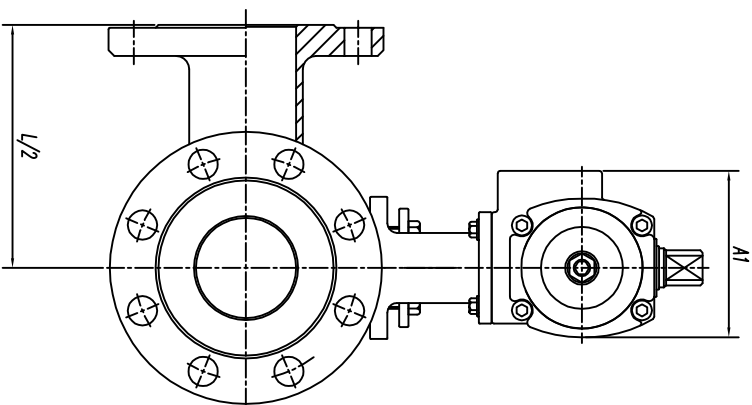
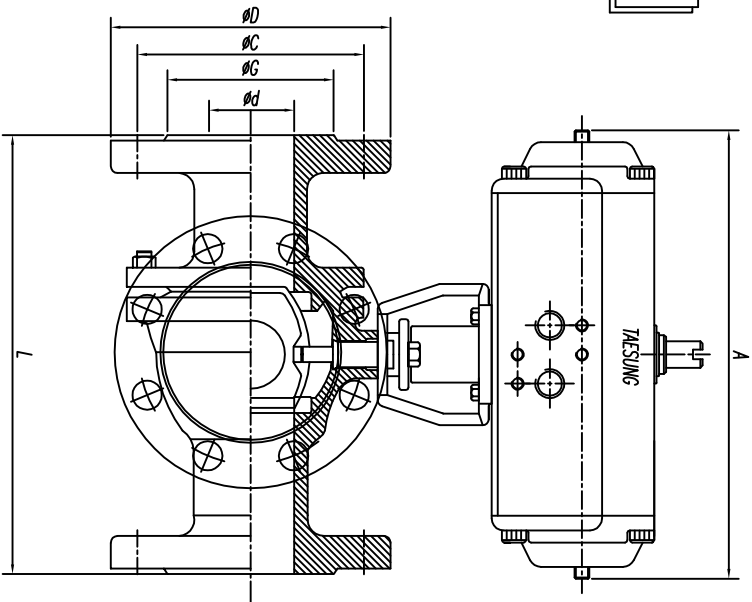
■ Actuator Specification

Specification	Type
Valve Type	DOUBLE ACTING
Rating	3-Way Flanged Ball Valve
Operating Medium	JIS10K RF
Standard operating pressure	Compressed dry air
Operating pressure range	5kg/cm ²
Operating angle	4 ~ 7kg/cm ²
Operating time(close → open)	90° (0°~+95°)
Service temperature	Maximum 30 Second(Speed control)
	-20°C ~ +65°C
Designed by	File name
Checked by	FLANGED
Approved by	Date
PARK, D. G.	2009.05.25
	Scale
	N:S
	Unit
	mm
<p>Title FLANGE 3 WAY BALL VALVE (15A ~ 80A) DOUBLE</p> <p>Model TD 3-WAY BALL VALVE</p> <p>Drawing no. TS090525-04</p>	

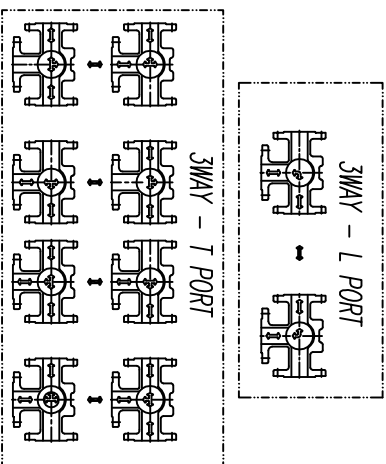


1-2

FOR APPROVAL



TITLE		
3-WAY FLANGED BALL VALVE		
NO	DESCRIPTION	MATERIAL
1	BODY	SCS13
2	BALL	SUS304
3	STEM	SUS304
4	SEAT	PTFE
5	GRAND PACKING	PTFE
6	BRACKET	SUS304
7	JOINT	S41C
8	ACTUATOR	TAESUNG



Actuator Specification

■ DIMENSION (mm)

MODEL	SIZE		A	A1	H	L		t	ϕd	FLANGED				
	mm	Inch				10K				ϕRF	ϕC	ϕD	N-H	
TD100-100F	100A	4"	326	114	350	229	18	100	155	175	210	8- $\phi 19$		
TD140-125F	125A	5"	462	158	425	356	20	125	185	210	250	8- $\phi 23$		
TD140-150F	150A	6"	462	158	470	394	22	150	215	240	280	8- $\phi 23$		
TD200-200F	200A	8"	780	260	643	457	22	200	265	290	330	12- $\phi 23$		
TD200D-250F	250A	10"	890	260	670	533	24	250	325	355	400	12- $\phi 25$		
TD250D-300F	300A	12"	890	307	1078	610	24	300	375	400	445	16- $\phi 25$		
AD300D-350F	350A	14"	1450	370	1098	686	26	350	415	445	490	16- $\phi 25$		

Specification	Type
Valve Type	DOUBLE ACTING
Rating	3-Way Flanged Ball Valve
Operating Medium	JIS10K RF
Standard operating pressure	Compressed dry air
Operating pressure range	5kg/cm ²
Operating angle	4 ~ 7kg/cm ²
Operating time(close → open)	90° (0°~+95°)
Service temperature	Maximum 30 Second(Speed control)
Designed by	-20°C ~ +65°C
Checked by	File name
Approved by	FLANGED
PARK, D. G.	Date
	2009.05.25
	Scale
	N: S
	Unit
	mm
Title	
FLANGE BALL VALVE (100A ~ 350A),DOUBLE	
Model	TD 3-WAY BALL VALVE
Drawing no.	TS090525-05

