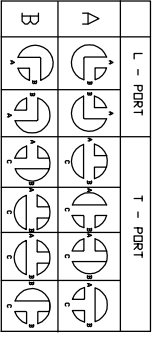
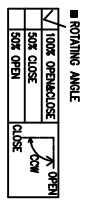
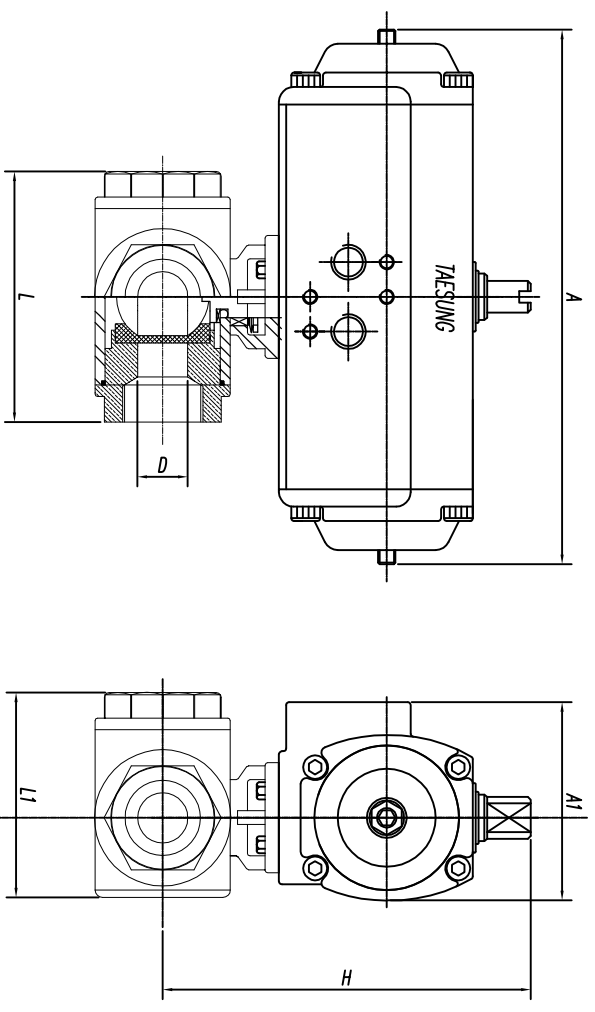


TITLE  
3-WAY SCREWED  
BALL VALVE

NO	DESCRIPTION	MATERIAL
1	CYLINDER	AL6063
2	PISTON	ADC12
3	COVER	ADC12
4	SHAFT	SM45C
5	BOTTOM O-RING	NBR
6	BOTTOM RING	PTFE
7	PISTON O-RING	NBR
8	PISTON GUIDE RING	PTFE
9	PISTON GUIDE PAD	PBT
10	SHAFT GUIDE RING	PTFE
11	TOP O-RING	NBR
12	TOP GUIDE RING	PTFE
13	THRUST WASHER	PTFE
14	SNAP RING	SM45C
15	COVER O-RING	NBR
16	COVER BOLT	304SS
17	ADJUST O-RING	NBR
18	WASHER	304SS
19	ADJUST O-RING	304SS
20	NUT	304SS
21	SUS316 / BODY	
22	PTFE / SEAT	
23	SUS316 / BALL	



■ DIMENSION(mm)

SIZE	MODEL		A	T	H	L	ØD
	mm	inch					
10A	3/8"	TD40-10S3W	108	60	130	80	12
15A	1/2"	TD40-15S3W	108	60	143	80	12.7
20A	3/4"	TD40-20S3W	178	69	153	87.5	15
25A	1"	TD50-25S3W	178	69	161	100	20
32A	1 1/4"	TD40-32S3W	232	82	198	123	25
40A	1 1/2"	TD65-40S3W	232	82	203	142.2	32
50A	2"	TD65-50S3W	232	82	222	170.6	40

■ Actuator Specification

Specification	Type
Operating Medium	DOUBLE ACTING
Standard operating pressure	Compressed dry air
Operating pressure range	5kg/cm <sup>2</sup>
Operating angle	4 ~ 7kg/cm <sup>2</sup>
Operating time (close → open)	90° (0 ~ +5)
Service temperature	Maximum 30 Second (Speed control)
Operating Type	-20°C ~ +65°C
Designed by	Such - Yoke (AD40 / R4P)
Checked by	Date
Approved by - date	Scale
PARK, D. G	Unit
	mm

**TAESUNG**

Title: 3-WAY SCREWED BALL VALVE-DOUBLE

Model: TD 3-WAY

Drawing no. TS090525-06